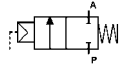


2/2 WAY COMPACT PISTON VALVE G 3/8" ÷ 1/2"; BRASS

Piston valve with external pneumatic actuation, compact and of solid construction. Suitable for neutral media with particles in suspension, a situation where a standard servoassisted solenoid valve may get clogged.



normally closed

TYPE: BLG

TECHNICAL SPECIFICATIONS

Media: water, air

Media temperature: -10°C ÷ +90°C

Ambient temperature: -10°C ÷ +60°C

Pilot media: air, inert gases

Actuator body material: brass (CW617N EN 12165 : 1999)

Plug material: brass (CW617N EN 12165 : 1999)

Body material: brass (CW617N EN 12165 : 1999)

Stem material: AISI 303

Seal material: NBR

BENEFITS

Waterhammer-free design (flow direction 2 → 1)

To be fitted with banjo bolt pilot solenoid valve (B356CVCMK)

OPTIONS

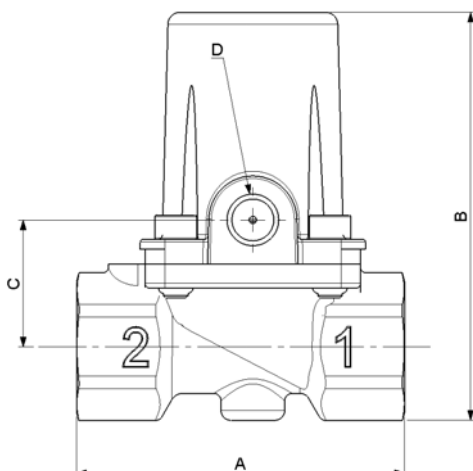
NPT connection (Ex. Code BLN205DBW00)

Electroless nickel plating treatment (Ex. Code BLG205DBW0K)



SELECTION TABLE

VALVE	connection	DN	flow rate Kv	working pressure		flow direction	pilot pressure		actuator Ø
				min (bar)	max (bar)		min (bar)	max (bar)	
Code	(ISO 228 G)	(mm)	(l/min)			(2 → 1)			(mm)
BLG204DBW00	3/8"	13,5	60	0	10	under seat	4,5	10	32
BLG205DBW00	1/2"	13,5	70	0	10	under seat	4,5	10	32



DIMENSIONS & WEIGHT

connection	A	B	C	D	weight
(ISO 228 G)	(mm)	(mm)	(mm)	(ISO 228 G)	(kg)
3/8"	67	84	26	1/8"	0,55
1/2"	67	84	26	1/8"	0,52